

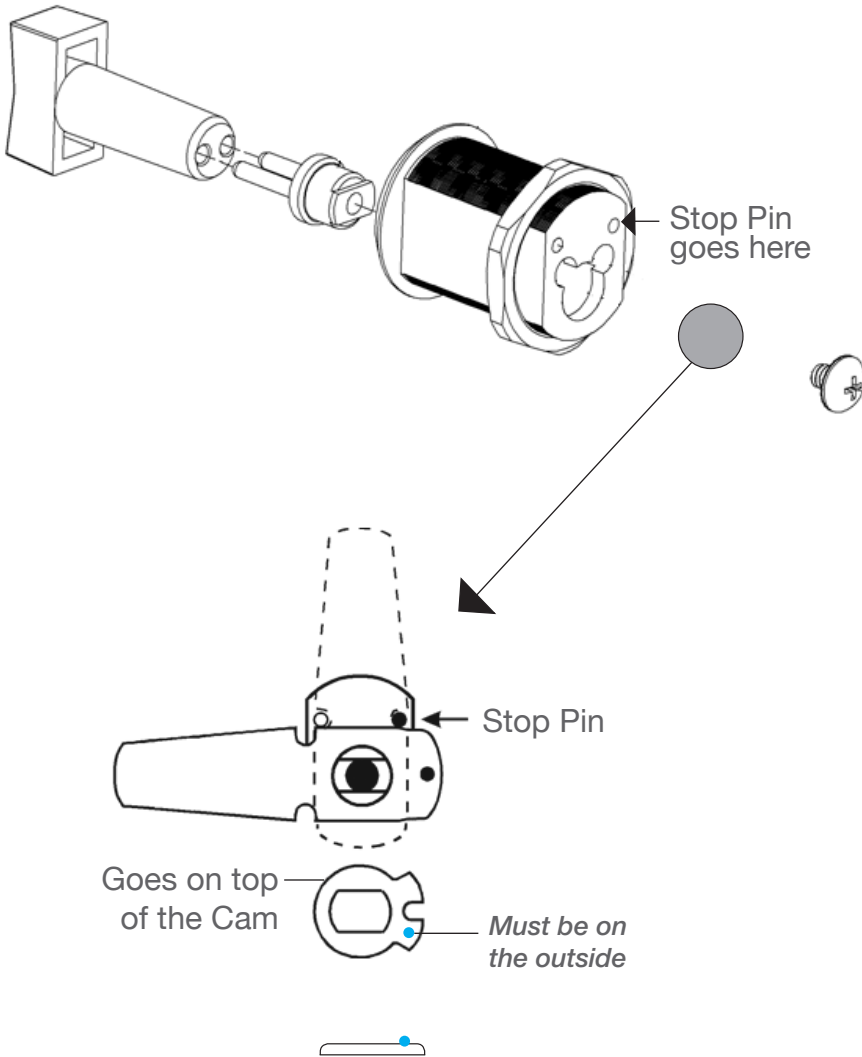
## CLI05 I.C. Core Cam Lock Assembly Instructions

### CLI05-0312Y\_

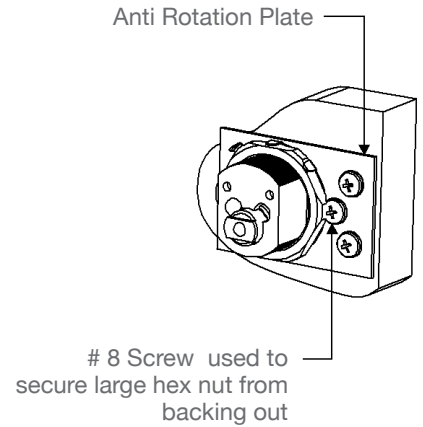
Locked @ 3

Open @ 12

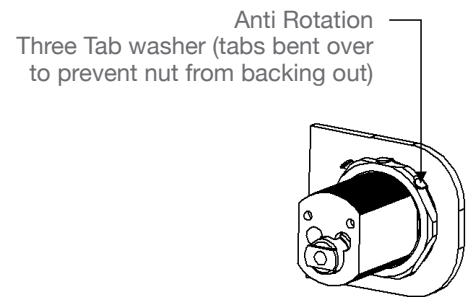
Key Retaining (key removable in locked position only)



### WOOD INSTALLATION

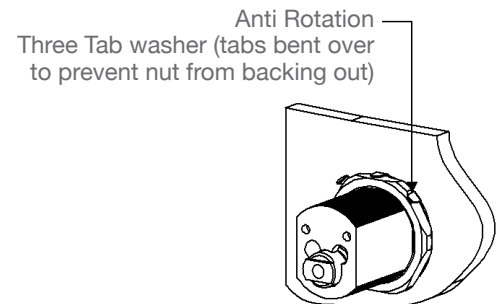


### METAL INSTALLATION



Note: A double "D" hole is required on the glass to prevent the lock from rotating.

### GLASS INSTALLATION



Note: A double "D" hole is required on the glass to prevent the lock from rotating.

For this and more assembly/installation instructions go to [www.kenstan.com](http://www.kenstan.com) click on Customer Support then click on "Installation Instructions"



## CLI05 I.C. Core Cam Lock Assembly Instructions

### CLI05-12 03N\_

Locked @ 12

Open @ 3

Not Key Retaining (key removable in locked or unlocked position)

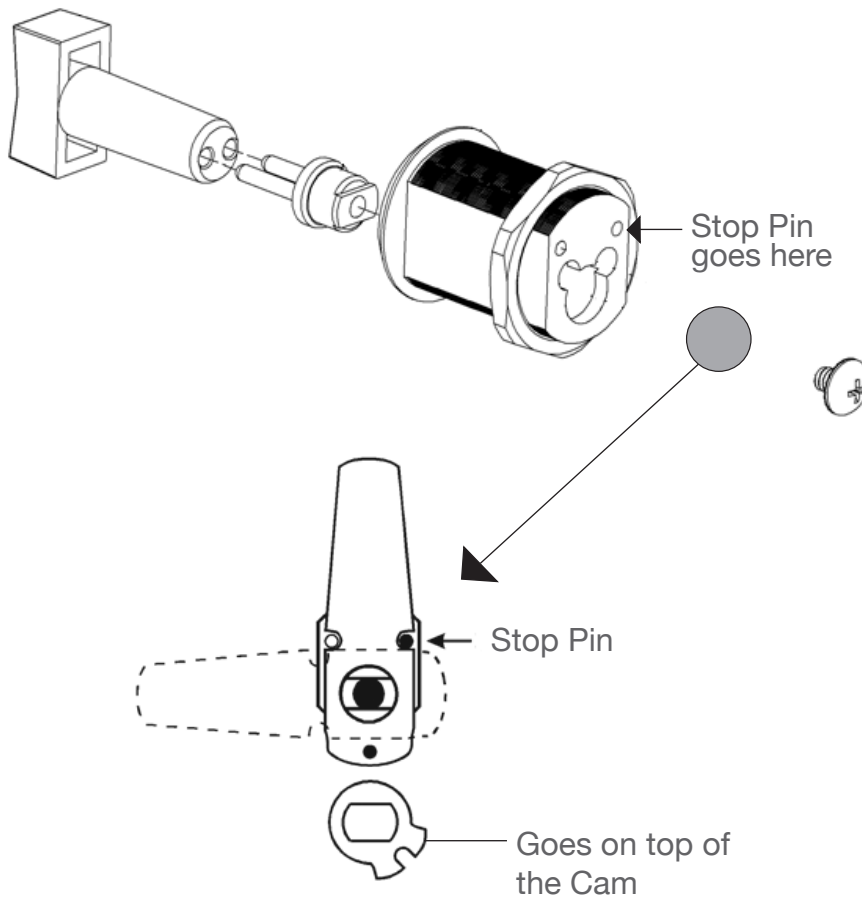
or

### CLI05-0312N\_

Locked @ 3

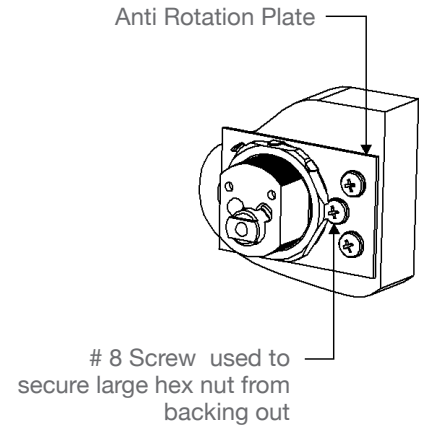
Open @ 12

Not Key Retaining (key removable in locked or unlocked position)

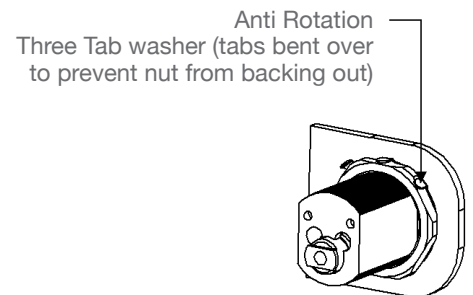


For this and more assembly/installation instructions go to [www.kenstan.com](http://www.kenstan.com) click on Customer Support then click on "Installation Instructions"

## WOOD INSTALLATION

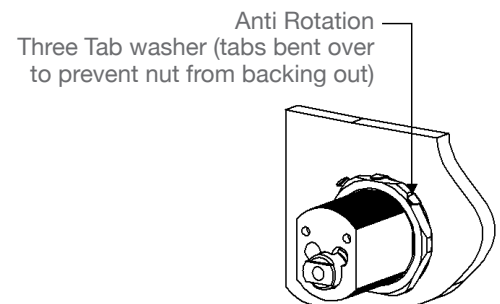


## METAL INSTALLATION



Note: A double "D" hole is required on the glass to prevent the lock from rotating.

## GLASS INSTALLATION



Note: A double "D" hole is required on the glass to prevent the lock from rotating.

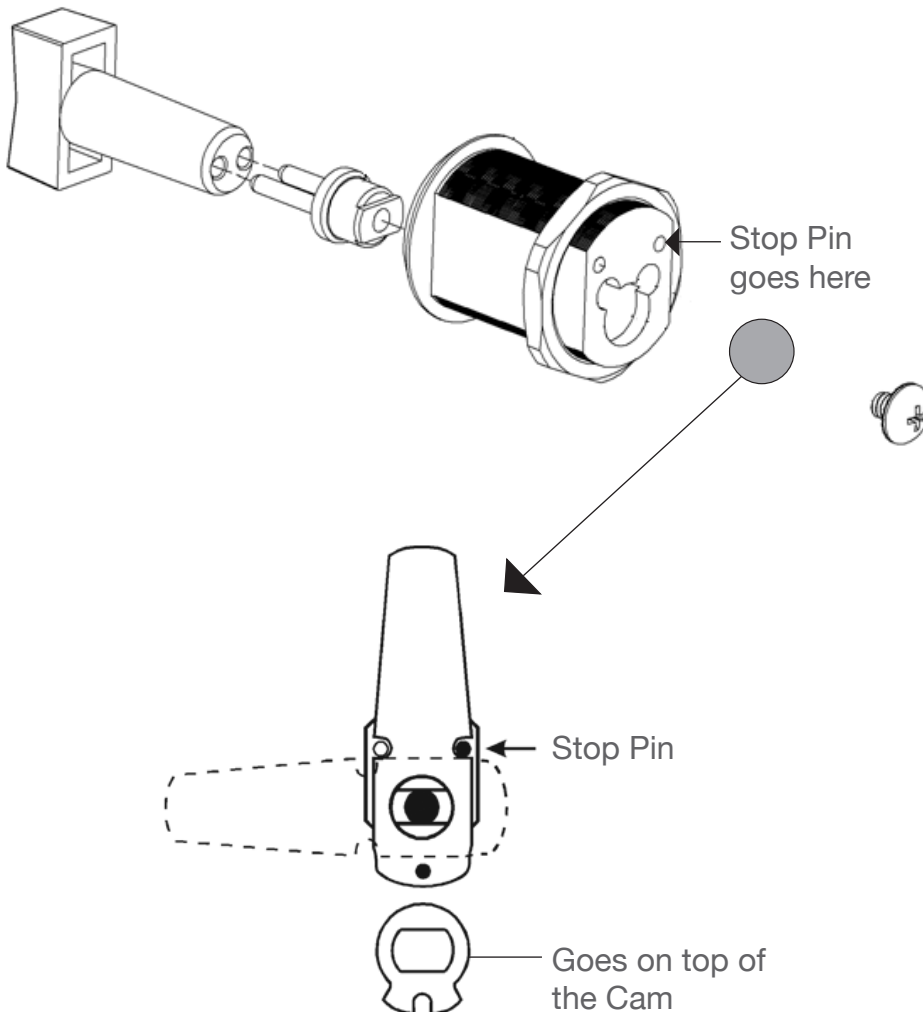
## CLI05 I.C. Core Cam Lock Assembly Instructions

### CLI05-12 03Y\_

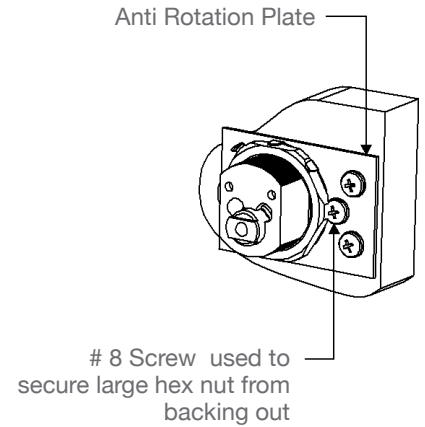
Locked @ 12

Open @ 3

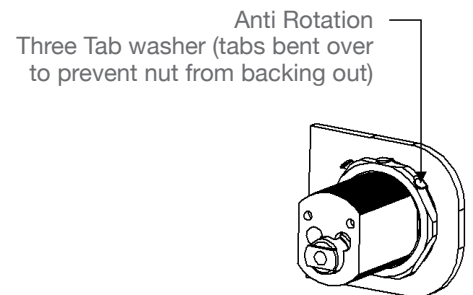
Key Retaining (key removable in locked position only)



### WOOD INSTALLATION

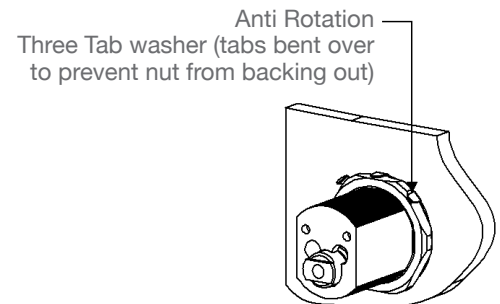


### METAL INSTALLATION



Note: A double "D" hole is required on the glass to prevent the lock from rotating.

### GLASS INSTALLATION



Note: A double "D" hole is required on the glass to prevent the lock from rotating.

For this and more assembly/installation instructions go to [www.kenstan.com](http://www.kenstan.com) click on Customer Support then click on "Installation Instructions"

## CLI05 I.C. Core Cam Lock Assembly Instructions

### CLI05-12 09N\_

Locked @ 12

Open @ 9

Not Key Retaining (key removable in locked or unlocked position)

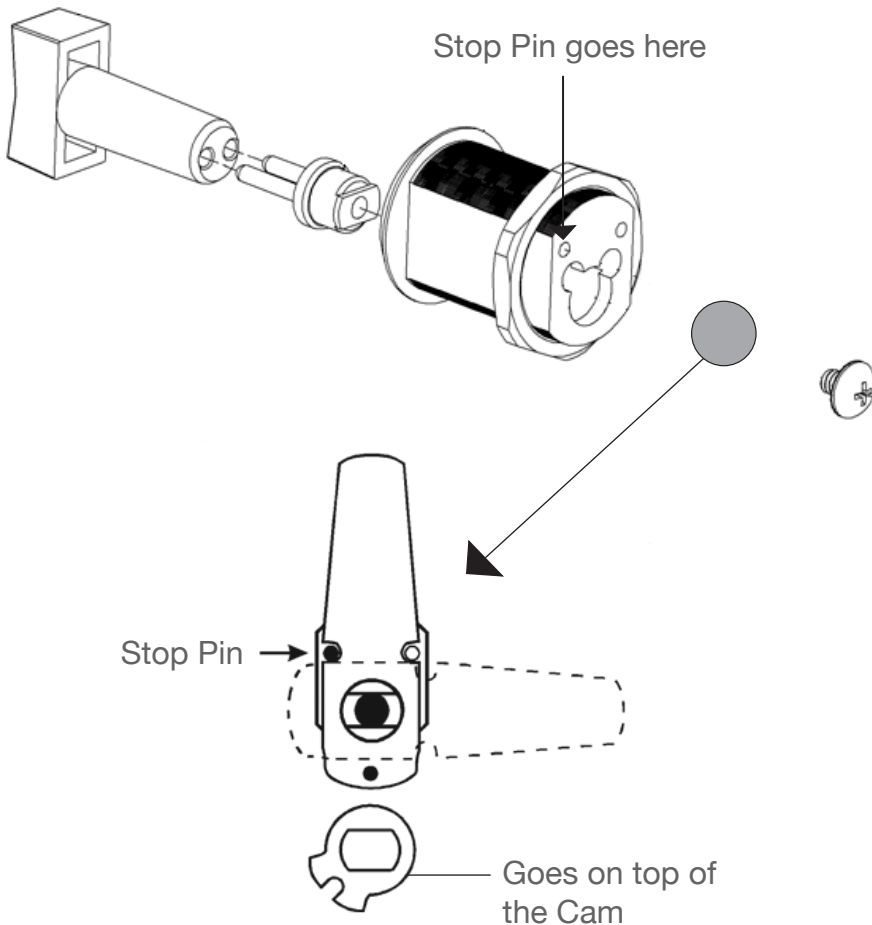
or

### CLI05-0912N\_

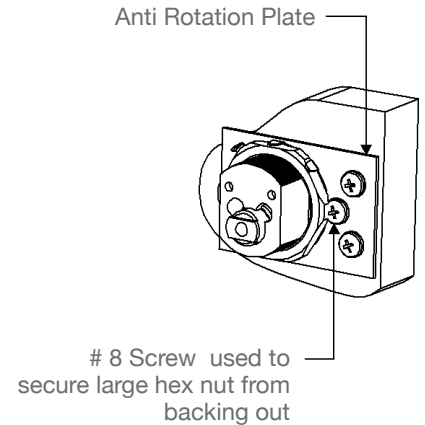
Locked @ 9

Open @ 12

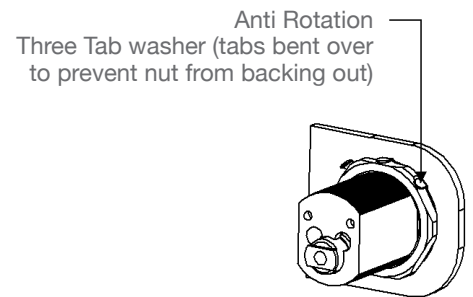
Not Key Retaining (key removable in locked or unlocked position)



## WOOD INSTALLATION

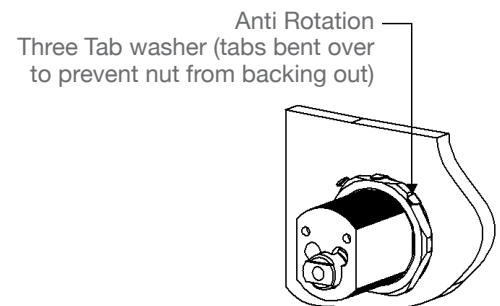


## METAL INSTALLATION



Note: A double "D" hole is required on the glass to prevent the lock from rotating.

## GLASS INSTALLATION



Note: A double "D" hole is required on the glass to prevent the lock from rotating.

For this and more assembly/installation instructions go to [www.kenstan.com](http://www.kenstan.com) click on Customer Support then click on "Installation Instructions"

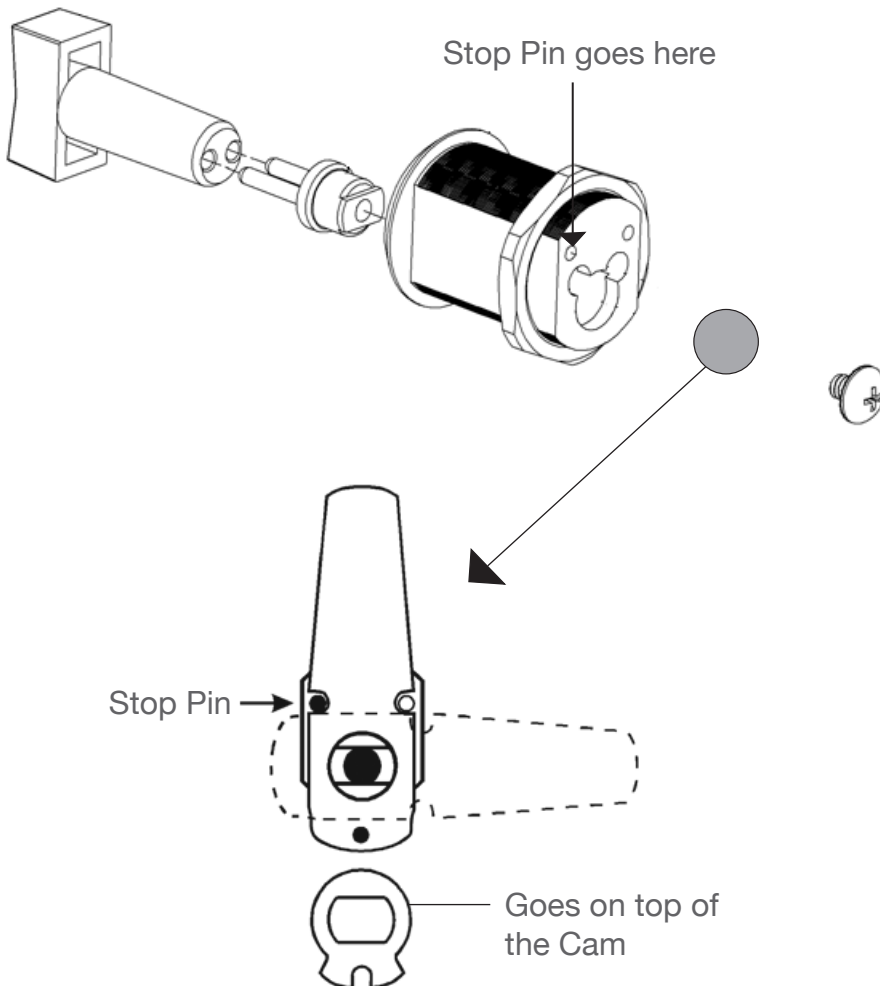
## CLI05 I.C. Core Cam Lock Assembly Instructions

### CLI05-12 09Y\_

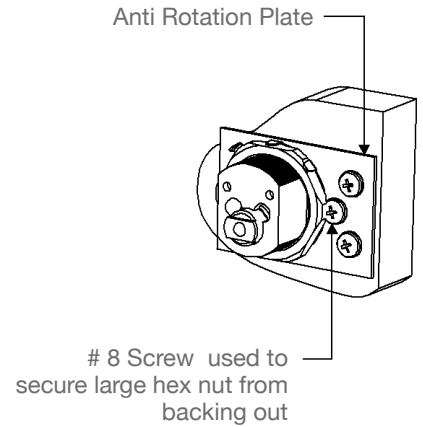
Locked @ 12

Open @ 9

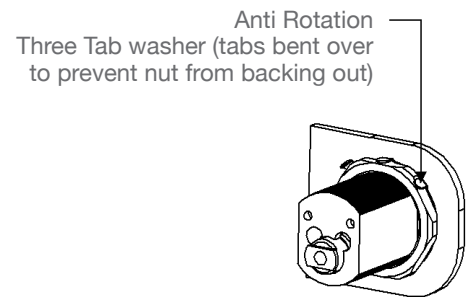
Key Retaining (key removable in locked position only)



## WOOD INSTALLATION

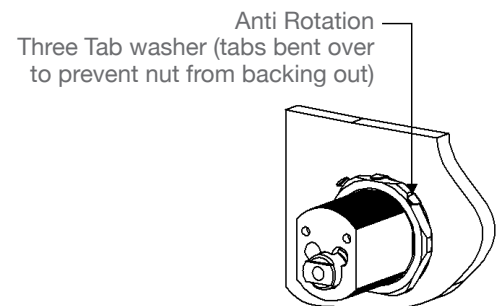


## METAL INSTALLATION



Note: A double "D" hole is required on the glass to prevent the lock from rotating.

## GLASS INSTALLATION



Note: A double "D" hole is required on the glass to prevent the lock from rotating.

For this and more assembly/installation instructions go to [www.kenstan.com](http://www.kenstan.com) click on Customer Support then click on "Installation Instructions"

## CLI05 I.C. Core Cam Lock Assembly Instructions

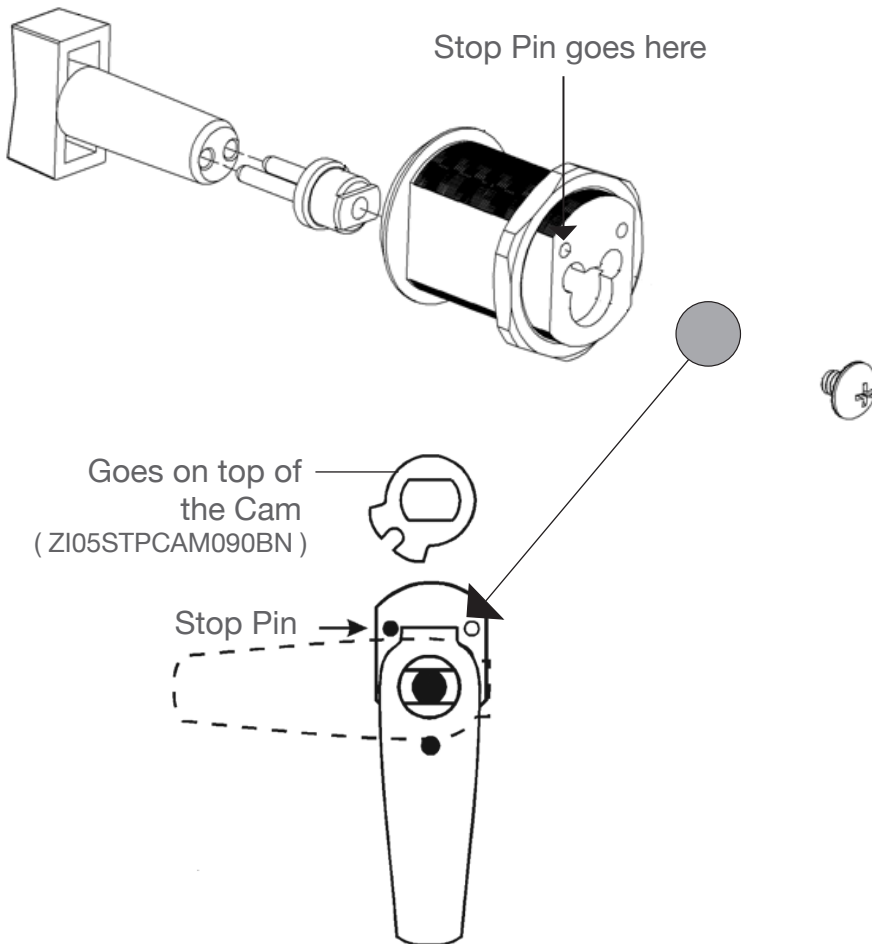
### CLI05-03 06N\_

Locked @ 3  
 Open @ 6  
 Not Key Retaining (key removable in locked or unlocked position)

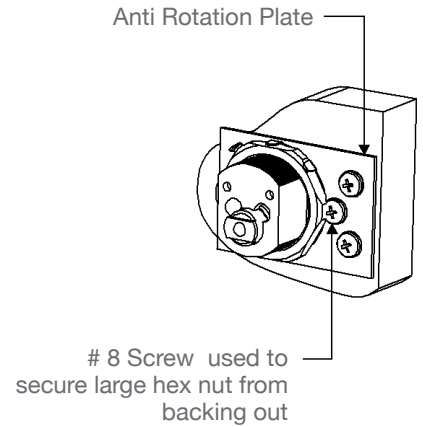
or

### CLI05-0603N\_

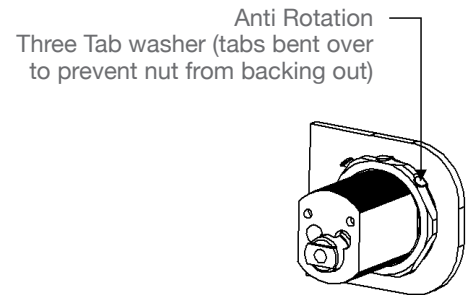
Locked @ 6  
 Open @ 3  
 Not Key Retaining (key removable in locked or unlocked position)



## WOOD INSTALLATION

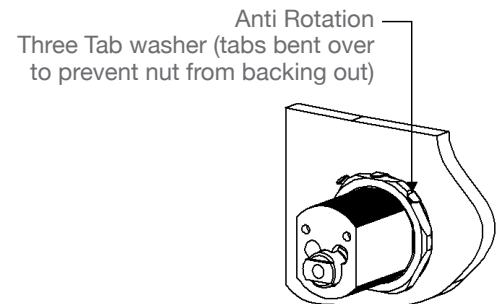


## METAL INSTALLATION



Note: A double "D" hole is required on the glass to prevent the lock from rotating.

## GLASS INSTALLATION



Note: A double "D" hole is required on the glass to prevent the lock from rotating.

For this and more assembly/installation instructions go to [www.kenstan.com](http://www.kenstan.com) click on Customer Support then click on "Installation Instructions"

## CLI05 I.C. Core Cam Lock Assembly Instructions

### CLI05-06 09N\_

Locked @ 6

Open @ 9

Not Key Retaining (key removable in locked or unlocked position)

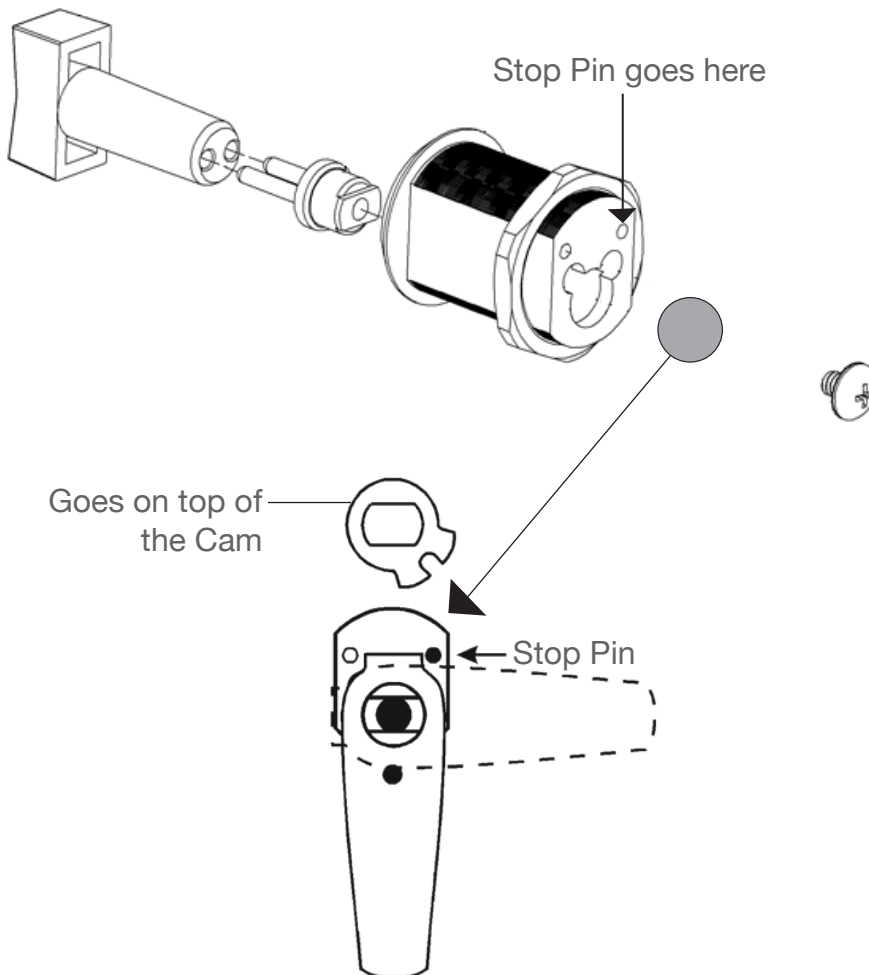
or

### CLI05-0906N\_

Locked @ 9

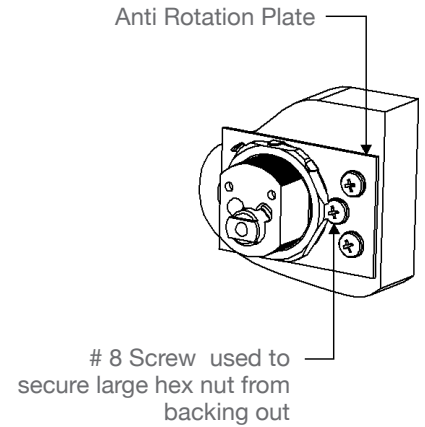
Open @ 6

Not Key Retaining (key removable in locked or unlocked position)

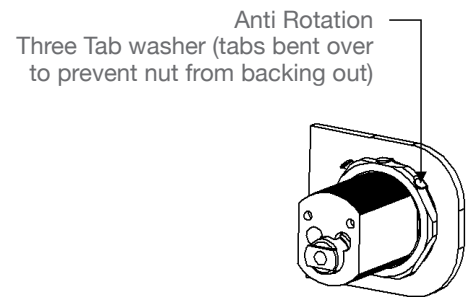


For this and more assembly/installation instructions go to [www.kenstan.com](http://www.kenstan.com) click on Customer Support then click on "Installation Instructions"

## WOOD INSTALLATION

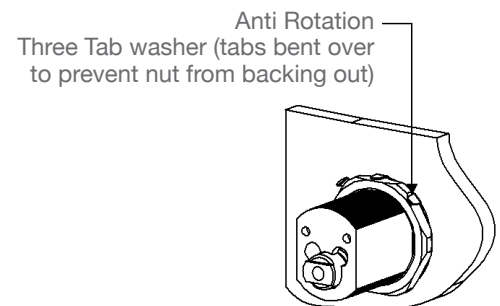


## METAL INSTALLATION



Note: A double "D" hole is required on the glass to prevent the lock from rotating.

## GLASS INSTALLATION



Note: A double "D" hole is required on the glass to prevent the lock from rotating.

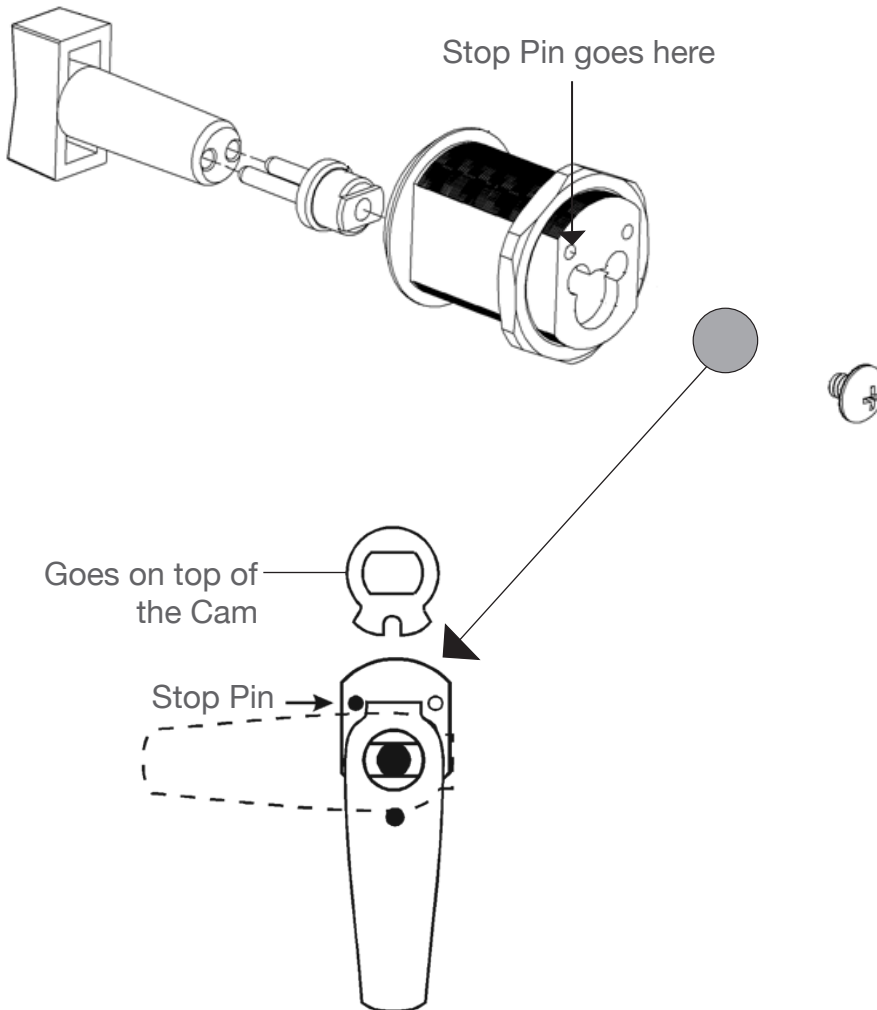
## CLI05 I.C. Core Cam Lock Assembly Instructions

### CLI05-06 03Y\_

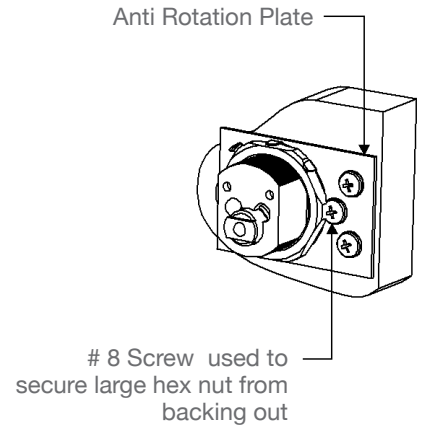
Locked @ 6

Open @ 3

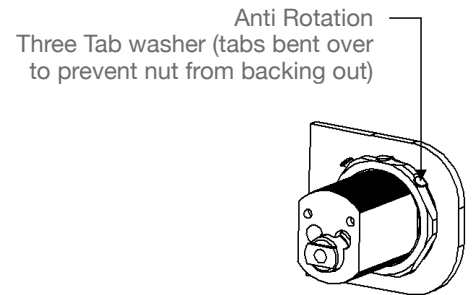
Key Retaining (key removable in locked position only)



### WOOD INSTALLATION

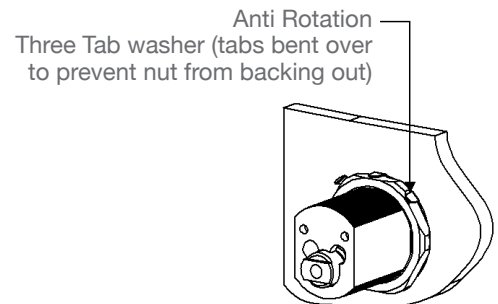


### METAL INSTALLATION



Note: A double "D" hole is required on the glass to prevent the lock from rotating.

### GLASS INSTALLATION



Note: A double "D" hole is required on the glass to prevent the lock from rotating.

For this and more assembly/installation instructions go to [www.kenstan.com](http://www.kenstan.com) click on Customer Support then click on "Installation Instructions"

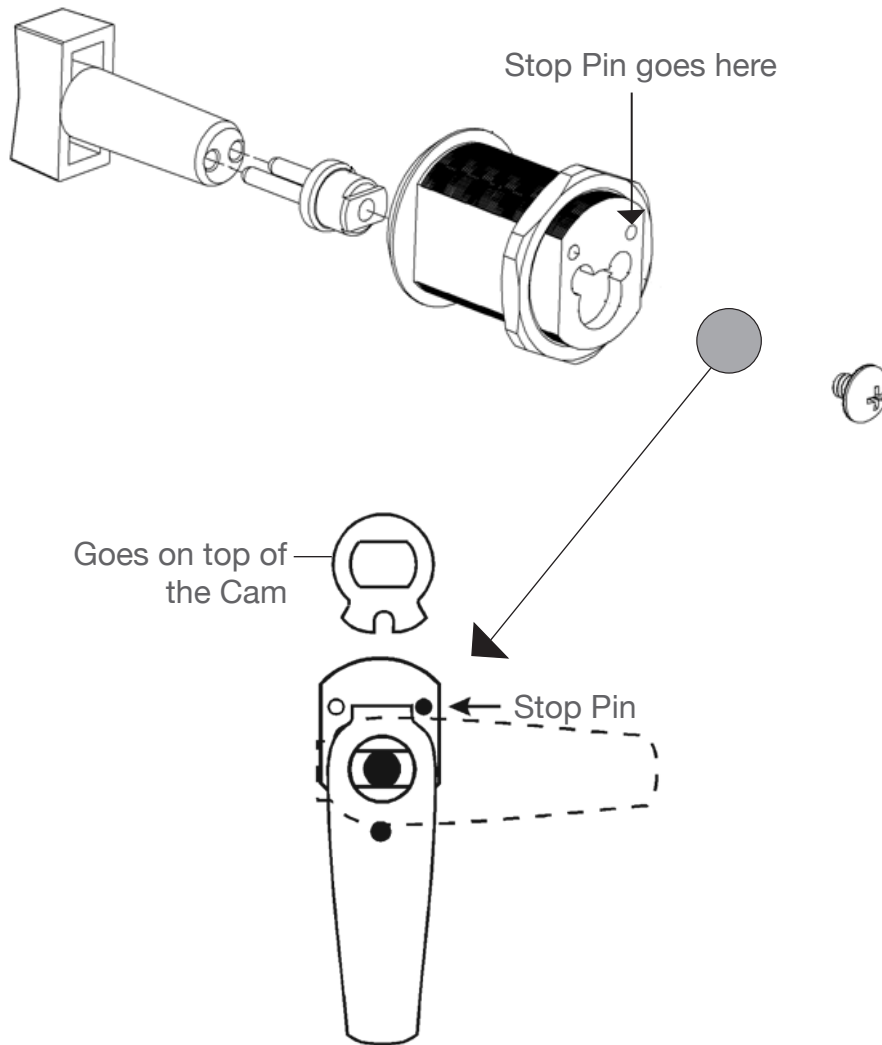
## CLI05 I.C. Core Cam Lock Assembly Instructions

### CLI05-06 09Y\_

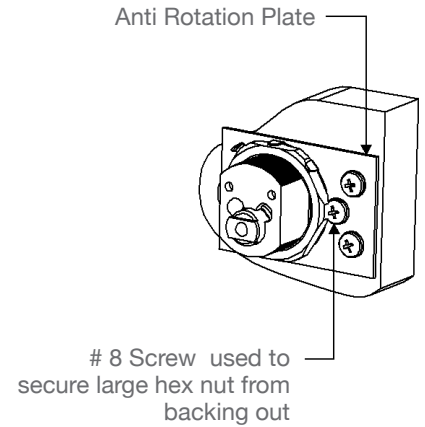
Locked @ 6

Open @ 9

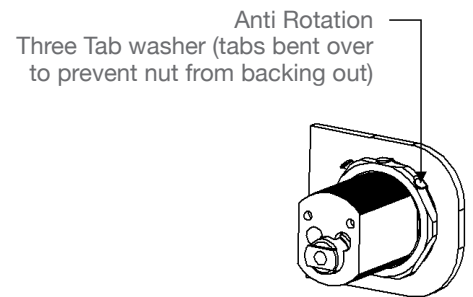
Key Retaining (key removable in locked position only)



## WOOD INSTALLATION

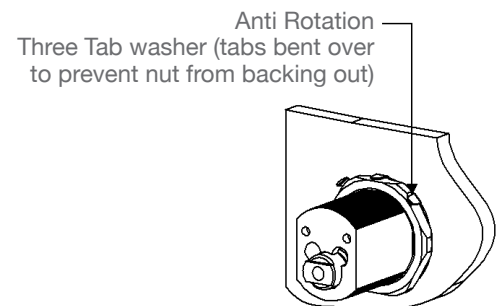


## METAL INSTALLATION



Note: A double "D" hole is required on the glass to prevent the lock from rotating.

## GLASS INSTALLATION



Note: A double "D" hole is required on the glass to prevent the lock from rotating.

For this and more assembly/installation instructions go to [www.kenstan.com](http://www.kenstan.com) click on Customer Support then click on "Installation Instructions"

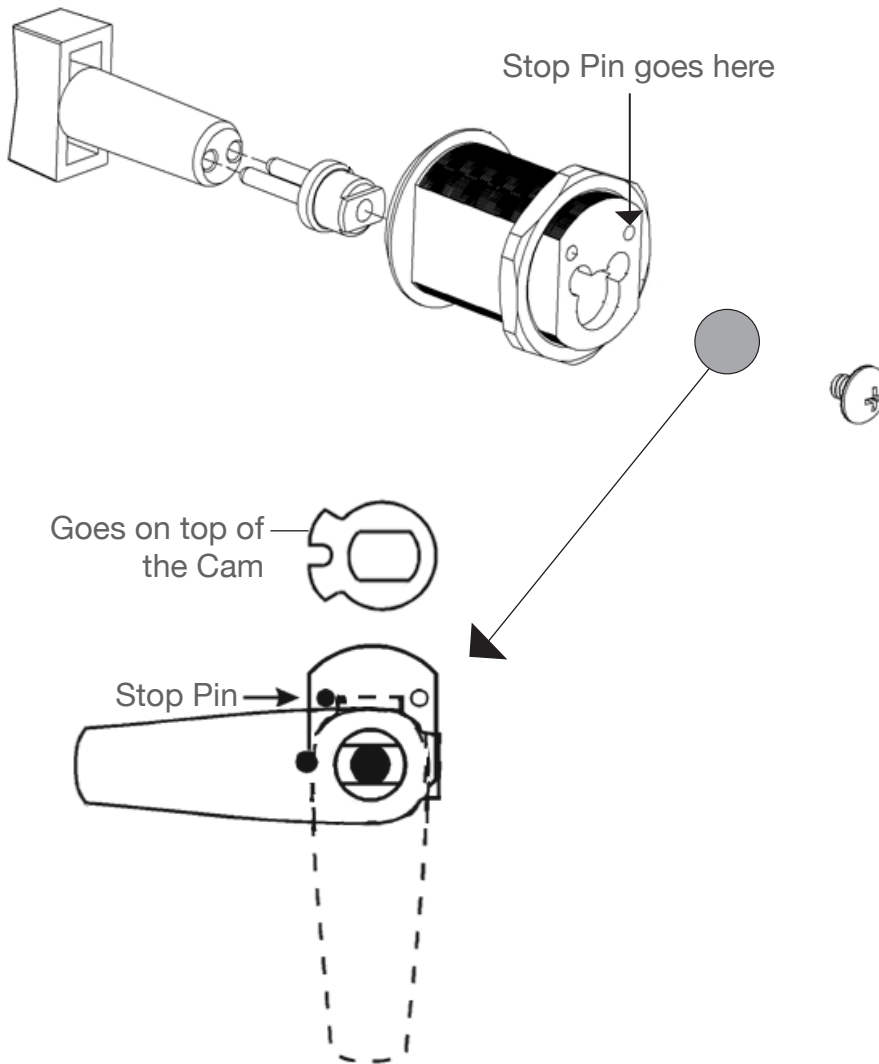
## CLI05 I.C. Core Cam Lock Assembly Instructions

### CLI05-09 06Y\_

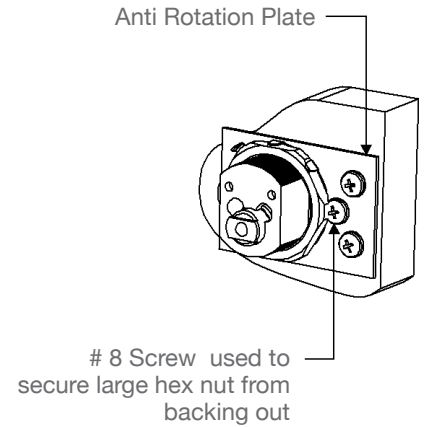
Locked @ 9

Open @ 6

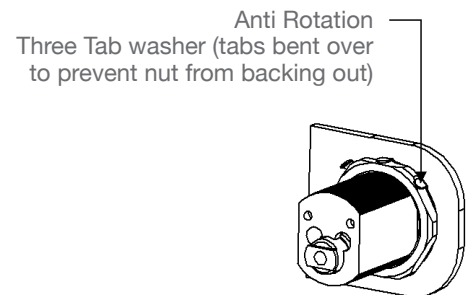
Key Retaining (key removable in locked position only)



## WOOD INSTALLATION

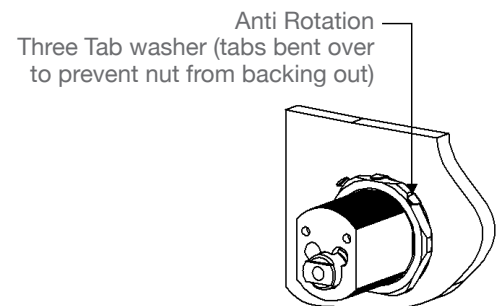


## METAL INSTALLATION



Note: A double "D" hole is required on the glass to prevent the lock from rotating.

## GLASS INSTALLATION



Note: A double "D" hole is required on the glass to prevent the lock from rotating.

For this and more assembly/installation instructions go to [www.kenstan.com](http://www.kenstan.com) click on Customer Support then click on "Installation Instructions"